

**SCHLAGE**

# 9000 Series

Door furniture & deadbolts



Refined square lines coupled with sleek and sophisticated lever options are a stand out feature of the Schlage 9000 Series. This contemporary lever range has a distinctively European feel. Blending form with function, the Schlage 9000 Series will allow you to express your individuality with lasting durability and style. Beautifully designed down to the last detail, this series is manufactured from high quality stainless steel for high performance, increased durability, good looks and great feel.

The Schlage 9000 Series has a square rose with solid levers to choose from.

## Features

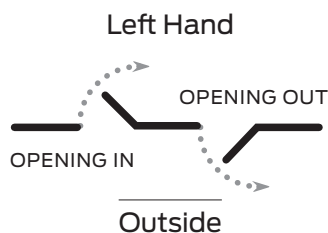
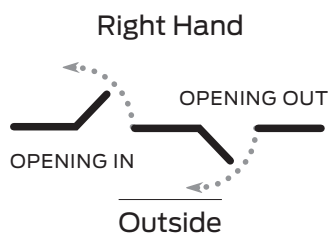
- Constructed of high quality materials for long lasting appeal
- Built-in privacy push-button for quick installation and ease of use
- The 9000 Series is suitable for use on approved fire core door assemblies when used with fire rated mortice locks or latches
- Through bolts provide secure fixing, concealed by a round rose cover for aesthetic appeal

# Specification guide

Function	Lever	Finish
Dummy trim ..... 9002	Albo ..... 713	Satin stainless steel ..... SSS
Latch furniture ..... 9000	Angelo ..... 714	
Passage set ..... 9005	Katz ..... 710	
Privacy set ..... 9006		

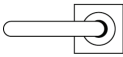
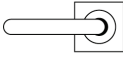
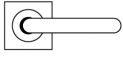
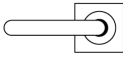
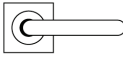
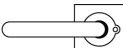

1. Function  
Select the desired function e.g. Passage set ..... 9005/
2. Lever  
Select the required lever design e.g. Katz #710 ..... 9005/710
3. Finish  
Select the desired finish e.g. Satin stainless steel ..... 9005/710SSS

# Handing guide



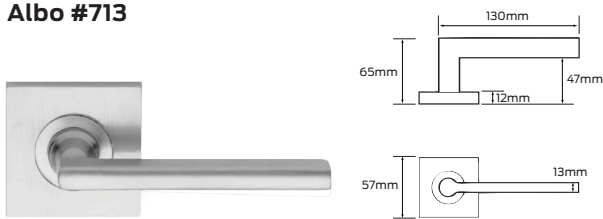
## Specifications

<b>Door type</b>	Timber or metal
<b>Door thickness</b>	Latch furniture 35mm to 50mm Passage set 35mm to 50mm Privacy set 32mm to 42mm
<b>Backset</b>	60mm or 70mm
<b>Spindle size</b>	7.6mm
<b>Compatible locks/latches</b>	Tubular latches, ME Series mortice locks, 990MF Series mortice locks
<b>Fixing</b>	Bolt-through concealed fixing Screw length 75mm
<b>Materials</b>	Solid or tubular stainless steel handles, die cast roses
<b>Finish</b>	Satin stainless steel
<b>Warranty</b>	7 year mechanical and finish when used on residential applications

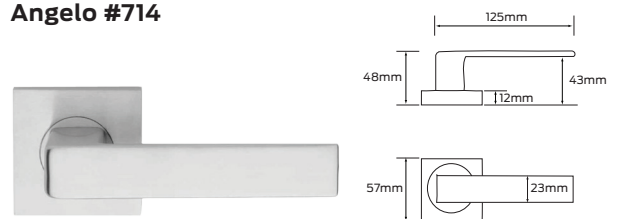
Functions	Outside	Inside
<b>9002 - Dummy trim</b> Inactive lever which is used as a door pull or matching trim		
<b>9000 - Latch furniture</b> Two levers to be used with a latch or converted to dummy trim with fixing kit		
<b>9005 - Passage set (60mm or 70mm backset)</b> Both levers always unlocked		
<b>9006 - Privacy set (60mm or 70mm backset)</b> Push-button locks outside lever (outside emergency release). Inside lever unlocks door		

## 9000 Series solid stainless steel lever designs

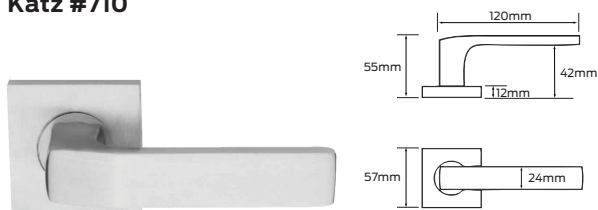
**Albo #713**



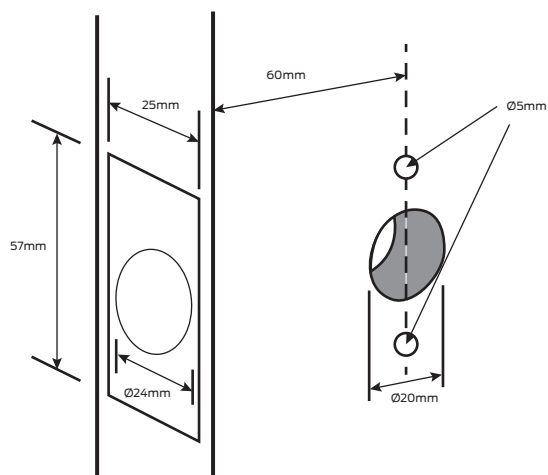
**Angelo #714**



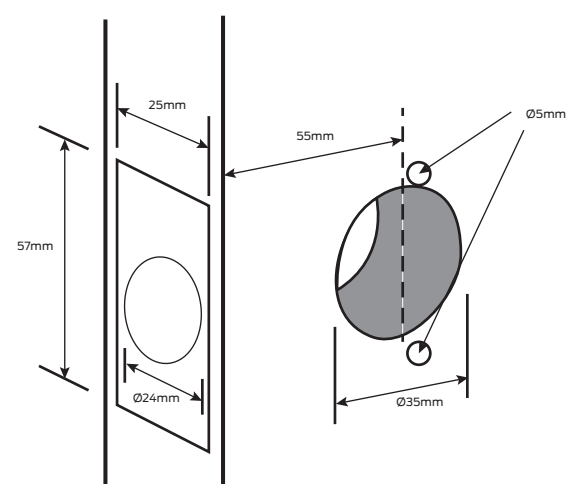
**Katz #710**



### Passage door preparation

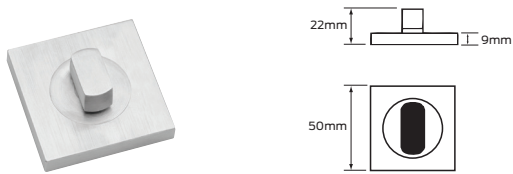


### Privacy door preparation



# 9000 Series escutcheons

**Turn #9007**




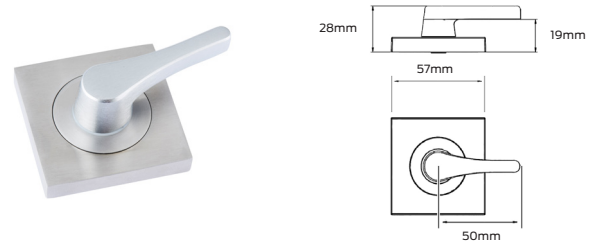
**Cylinder #9008**



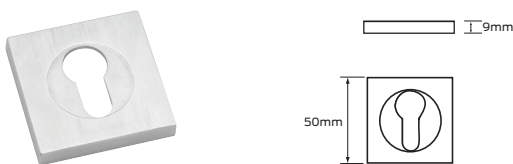
**Emergency release #9009**



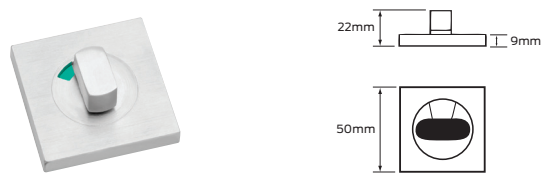
**Large turn #9010** 



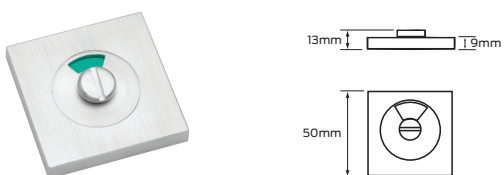
**Euro profile cylinder #9012**



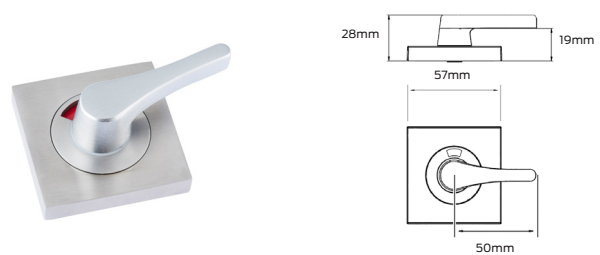
**Indicating turn #9013**



**Indicating emergency release #9014**



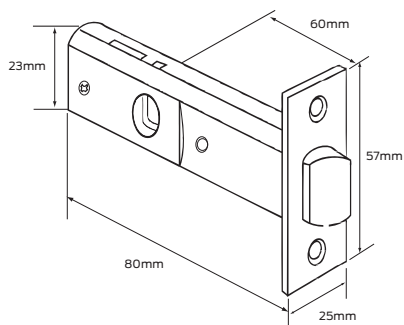
**Indicating large turn #9015** 



## 9000 Series accessories

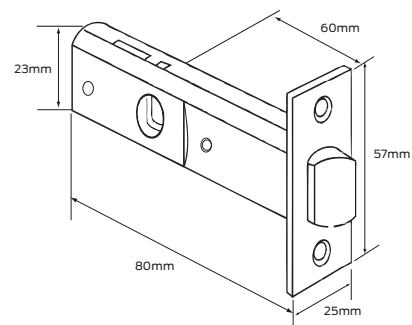
### Passage latch

60mm backset  
**Finish:** Chrome plate,  
 satin chrome plate



### Privacy latch

60mm backset  
**Finish:** Chrome plate,  
 satin chrome plate



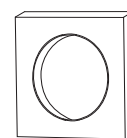
### Dummy trim fixing kit

Allows conversion of lever  
 furniture to dummy trim function.  
 One kit required per lever



### Rose caps

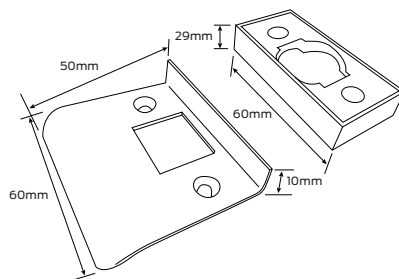
**Finish:** Satin stainless steel



PASSAGE

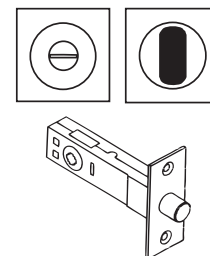
### Universal rebate kit

**Finish:** Satin chrome plate



### Emergency turn set

Turn escutcheon, emergency release  
 escutcheon and deadbolt  
**Finish:** Satin stainless steel





ALLEGION™

PIONEERING SAFETY™

We are  
Allegion