



Omnia™

Fire Rated Smart Lock



The Schlage Omnia™ Smart Lock is suitable for apartments or complexes with internal access where fire rating is required.

The Schlage Omnia™ provides simple access options including the Schlage Breeze app on a smartphone via Bluetooth™, keypad, key tags, fingerprint scanner or mechanical key. For remote access to the Schlage Omnia™ Smart Lock, the lock can be paired with the Schlage Wi-Fi Bridge (BZ100).



Features

- Easy to set up and program using the Schlage Breeze app
- Use voice commands via Google Assistant and Amazon Alexa
- Program and manage access codes for temporary or recurring visitors
- Touch screen keypad - up to 150 custom pin codes and 150 scheduled pin codes
- Fingerprint scanner - allows up to 300 fingerprints
- Includes 3 key tags - up to 200 additional tags can be programmed
- Easy installation
- Auto locking and passage mode
- Low battery warning signals
- Built-in alarm technology senses potential security breaches at the lock
- Available in Satin Nickel Plate or Matt Black finishes
- Mechanical key override

Warranties	
Mechanical	2 years
Electronic	2 years

Technical specifications

Hardware Specification	
Certifications / Approvals	Compliant to AS 4145.2 when combined with a Legge 990 mortice lock
Materials	Die cast zinc alloy body and lever. SSS internal plate
Finishes	Satin Nickel Plate or Matt Black
Keypad	12 keys with individual LED illumination
Feedback	Voice guidance, audible tones and LED indicators
Lock type	Australasian mortice lock or tubular latch (sold separately)
Temperature range	0°C to 50°C
Humidity	0 to 90%, non condensing
Suitable environment	Recommended for internal multi-residential use only
Batteries	4x 1.5V AAA alkaline batteries
Battery life	Approximately 1 year (10 uses per day)
Door thickness	35-60mm for Legge 990SV Mortice lock with clutching key override 35-45mm for Legge 990SV Mortice lock with latch retraction key override
External body dimensions	313mm x 53mm x 28mm (L x W x D)
Internal body dimensions	310mm x 53mm x 3mm (L x W x D)
Access Specification	
Access methods	Keypad, key tag, fingerprint or Bluetooth app
Bluetooth app	Schlage Breeze
Key override	5-Pin Australian oval cylinder with two keys
Number of users	Unlimited Bluetooth
Key tags	Up to 200
Fingerprints	300
PIN code	150x custom. 150x scheduled
PIN code length	4-9 digits
Verification time	<1s
Type	3 key tags
Lock Functions	
Low battery alarm	Yes
Built-in alarm technology	Yes
Incorrect PIN code lockout alarm	Yes
Passage mode	Yes (via app)
One-time password	Yes
Remote unlocking	Yes (via Schlage Wi-Fi Bridge BZ100)
Generate random PIN codes remotely	Yes
Create custom PIN codes remotely	Yes (via Schlage Wi-Fi Bridge BZ100)
Bluetooth app	Yes (required for setup)
App Specification (Schlage Breeze)	
Platform	iPhone (iOS 8.0 and above) Android (4.3 and above)
Languages	English, Chinese (Mandarin & Cantonese), Japanese, Korean, French, Dutch, Italian, Spanish, German, Portuguese, Polish, Russian, Vietnamese, Arabic, Slovak, Serbian, Malay, Hungarian, Czech
Device management	Add, delete, modify, check status
Functions	Open/close lock, send mobile credentials, add users and check audit trail

Finishes



Black/MB

Black/Matt
Black



SNP

Satin Nickel
Plate

Testing and Compliance



Fire Rating:

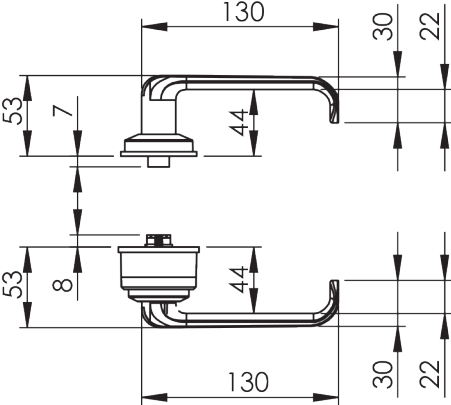
Successfully tested on fire door assemblies in accordance with AS1905 Part1: Fire resistance doorsets. Check with fire door manufacturer prior to installation.



Accessibility:

Compliant to the AS 1428:1-2009 Design for Access and Mobility

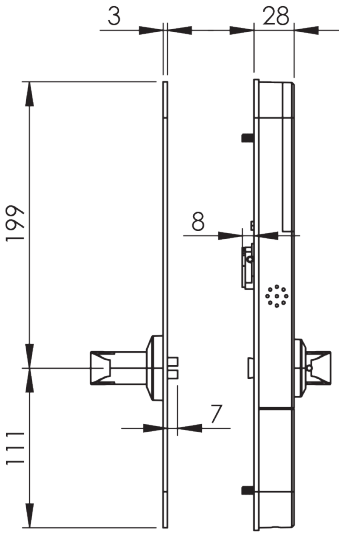
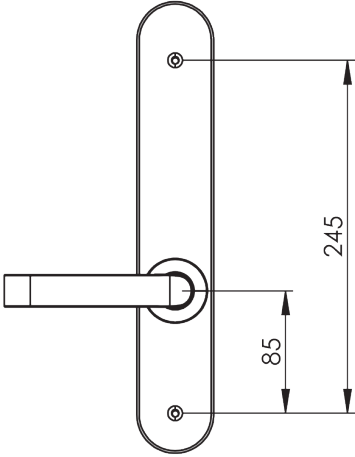
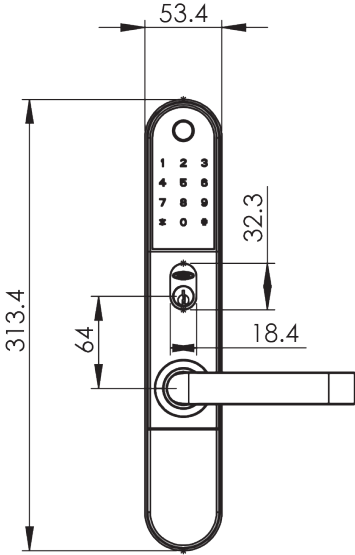
Schlage Omnia



External lock body



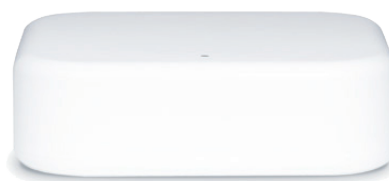
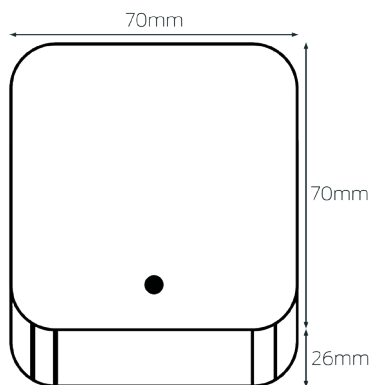
Internal lock body



Schlage Omnia Accessories

Schlage Encoder Wi-Fi Bridge BZ100

Compatible with	Schlage Omnia and Schlage eGO Smart Locks
Model	Schlage Wi-Fi Bridge (BZ100)
Dimensions	70mm x 70mm x 26mm
Network	Wi-Fi 2.4GHz
IEEE standard	802.11 b/g/n
Power interface	Type-C USB
Power input	5V/500mA
Warranty	1 year



Schlage Encoder BZ200

Compatible with	Schlage Omnia and Schlage eGO Smart Locks
Model	Schlage Encoder (BZ200)
Dimensions	70mm x 70mm x 26mm
Power interface	Type-C USB
Power input	5V/500mA
Radio frequency	13.56Mhz
Support card type	MiFare S50
Warranty	1 year

