



Mirror fixings



Sanitary installations



BUILDING MATERIALS

- Concrete
- Gypsum plasterboard and gypsum fibreboards
- Vertically perforated brick
- Hollow blocks made from lightweight concrete
- Cavity floor slabs made from bricks and concrete
- Perforated sand-lime brick
- Solid sand-lime brick
- Natural stone
- Aerated concrete
- Chipboard
- Solid panel made from gypsum
- Solid brick made from lightweight concrete
- Solid brick

CHARACTERISTICS



UNIVERSAL PLUG UX

The powerful nylon plug with 4-way expansion

ADVANTAGES

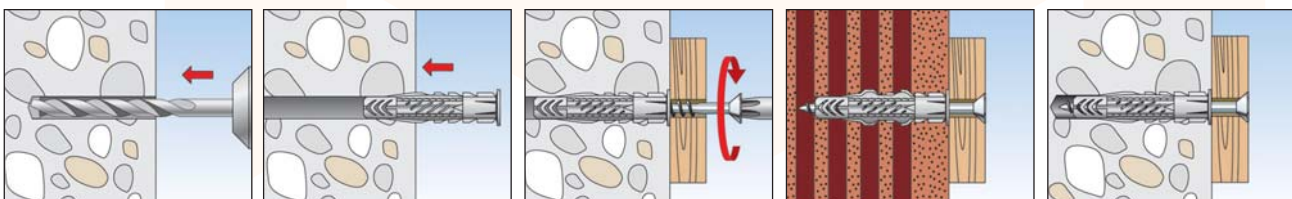
- The universal operating principle (knotting or expanding) allows for use in all solid, hollow and board building materials. Thus the UX is the correct choice for unknown base materials.
- The UX's angled connection ridges allow for optimum screw guidance.
- Serrated anti-rotation locks prevent rotation in the drill hole, guaranteeing the greatest possible installation safety.

APPLICATIONS

- Pictures
- Lighting
- Skirting
- Light cabinets
- Towel rails
- Mirror cabinets
- Curtain rails
- Wash basin fixings
- TV consoles
- Plumbing and heating fixings

FUNCTIONING

- The UX with rim is suitable for pre-positioned installation; the UX without rim is suitable for push-through installation.
- Turning in the screw causes the UX to expand in the solid building material and to knot inside the cavity.
- The required screw length is given by the plug length + fixture thickness + 1 x screw diameter.
- Suitable for wood and chipboard screws, as well as stud screws.
- In the case of board building materials, the threadless part of the screw must not be longer than the fixture, and the UX with rim is to be used.
- The edge distance must be at least one plug length.

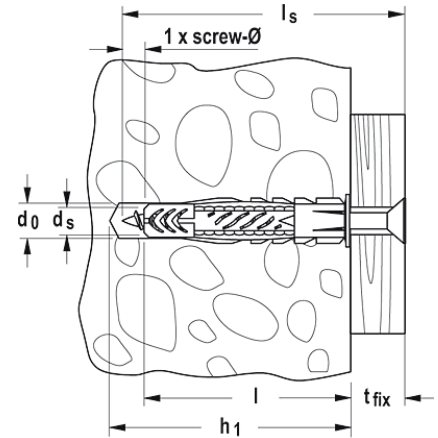


UNIVERSAL PLUG UX

TECHNICAL DATA



Universal plug UX



Type	Art.-No.	Drill hole diameter d_0 [mm]	Min. drill hole depth h_1 [mm]	Min. panel thickness d_p [mm]	Anchor length l [mm]
UX 6 x 35	062754	6	45	9,5	35
UX 6 x 35 R	062756	6	45	9,5	35
UX 6 x 50	072094	6	60	9,5	50
UX 6 x 50 R	072095	6	60	9,5	50
UX 6 x 50R S/20	094759	6	75	9,5	50
UX 8 x 50	077869	8	60	9,5	50
UX 8 x 50 R	077870	8	60	9,5	50
UX 10 x 60	077871	10	75	12,5	60
UX 10 x 60 R	077872	10	75	12,5	60

LOADS

Universal plug UX

Highest recommended loads¹⁾ for a single anchor.

The given loads are valid for wood screws with the specified diameter.

Type		UX5	UX6	UX6 x 50	UX8	UX10	UX12	UX14
Screw diameter	Ø [mm]	4	5	5	6	8	10	12
Recommended loads in the respective base material F_{rec}²⁾								
Concrete	≥ C20/25 [kN]	0,30	0,40	0,60	0,60	1,00	1,50	1,80
Solid brick	≥ Mz 12 [kN]	0,20	0,20	0,30	0,30	0,50	0,70	0,80
Hollow sand lime stone	≥ KSL 12 [kN]	0,30	0,40	0,40	0,50	0,60	0,80	0,80
Vertically perforated brick	≥ Hlz 12 [kN]	0,20	0,20	0,20	0,20	0,20	0,30	0,40
Aerated concrete	≥ PB4, PP4 (G4) [kN]	0,15	0,20	0,20	0,30	0,40	0,60	0,70
Gypsum plasterboard	12,5 mm [kN]	0,10	0,10	0,10	0,10	0,10	-	-
Gypsum plasterboard	25 mm [kN]	0,10	0,15	0,15	0,15	0,15	-	-
Gypsum fibreboard	(Fermacell) [kN]	0,20	0,20	0,20	0,20	0,25	-	-
Plaster wall	$\rho \geq 0,9 \text{ kg/dm}^3$ [kN]	-	-	-	0,15	0,35	0,45	0,50

¹⁾ Includes the safety factor 7.

²⁾ Valid for tensile load, shear load and oblique load under any angle.

